

NEW GENERATION • ENGINE-UP Timbco T425, T440 & T445

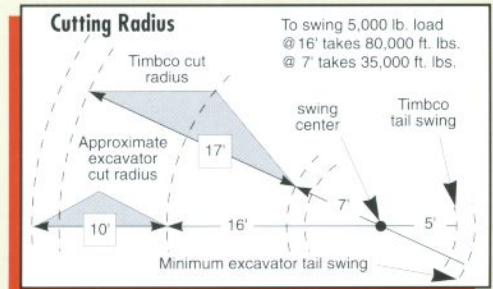
*The best and most versatile
feller buncher available today!*



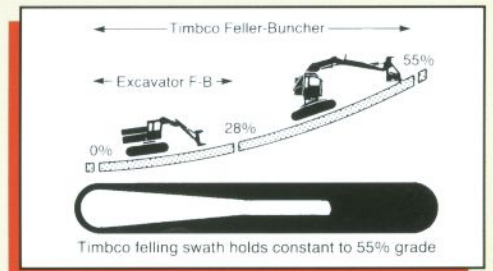
T445 shown with window bar protection, fire suppression, full halogen light package and 22" QUADCO™ disc saw attachment.

Standard Equipment

- T425 - Caterpillar 325 (D6) undercarriage, 24" track shoes, 2 speed drive motors with 52,000 lb drawbar pull and 3.0 mph travel speed
- T440 & T445 - Caterpillar 330 (D7) undercarriage, 24" track shoes, 2 speed drive motors with 68,000 lb drawbar pull and 2.9 mph travel speed
- T425 & T440 - Cummins 6BTA5.9 171 hp engine
- T445 - Cummins 6CT8.3 210 hp engine
- Red Dot air conditioner and heater
- Rexroth 9 bank load sense, pressure compensated valves and 55 gpm pump operating at 3650 psi
- Timbco 28" bar saw with directional felling capabilities or 20" shear with accumulator
- 51" dia. Rotek swing bearing
- True 4-way, 2-cylinder cab leveling
- Excellent cooling with side-by-side radiator and oil cooler
- 180 gallon fuel capacity
- 105 amp alternator
- Strongest, safest cab in the industry with ROPS/FOPS/OPS certification and excellent visibility
- Lower center of gravity and set back center of rotation for better snow and soft ground mobility
- Easy servicing and maintenance
- Total height of 12'0" with fixed skylight
- T425 weight without attachment 50,000 lb
T440 weight without attachment 54,500 lb
T445 weight without attachment 55,000 lb
- Hydraulic capacity to operate disc saw, roto saw or processing head



- ▲ Cutting radius of 17' and tail swing of 5' for tremendous selective cut capabilities. Also gives great lift capacity and minimal stress on swing by being able to cut close in.

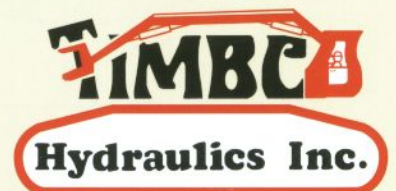


- ▲ With a transverse tilt of 27° to the front and 7° to the back and a parallel tilt of 20° the Timbco felling swath holds constant to 55% grade for minimal production loss on steep slopes.

Also available:

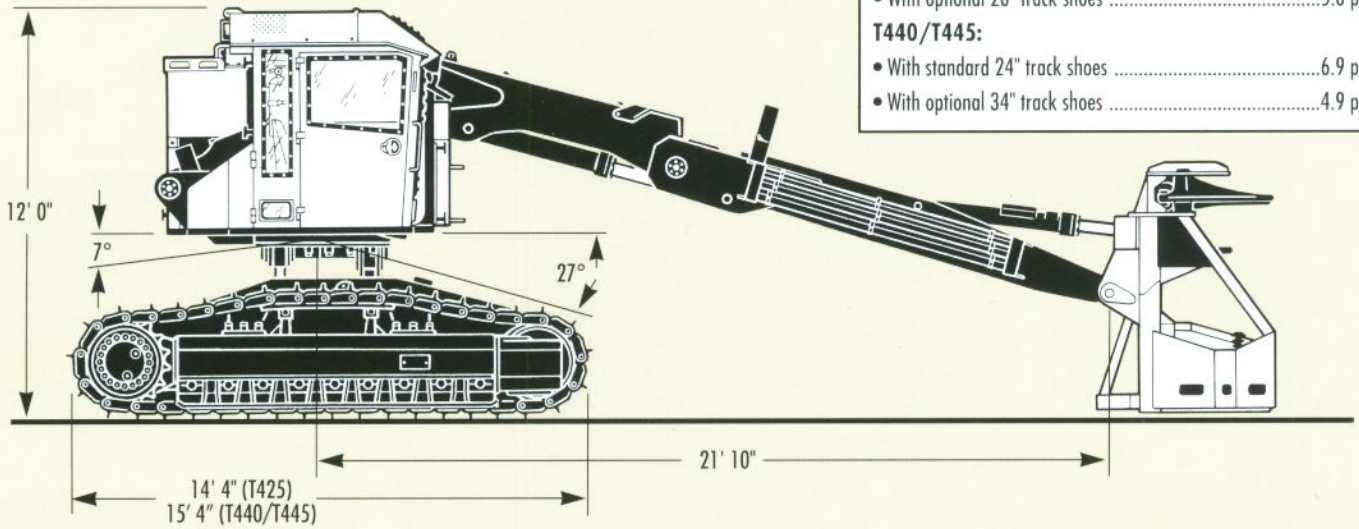
- 28" (T425) and 34" (T440 & T445) track shoes for ground pressures down to 4.9 psi
- Timbco 33" bar saw with directional felling capabilities
- 130 amp alternator
- Full halogen light package
- Window bar protection
- Cold weather start kit
- Fire suppression system
- Radio/cassette player
- Tool box
- Electric hydraulic oil fill pump
- 75 gpm implement pump

Call (715) 524-2820 for location of your nearest dealer and how to obtain a free video featuring this machine.



Dimensional Data

Illustrations shown with Timbco bar saw attachment.



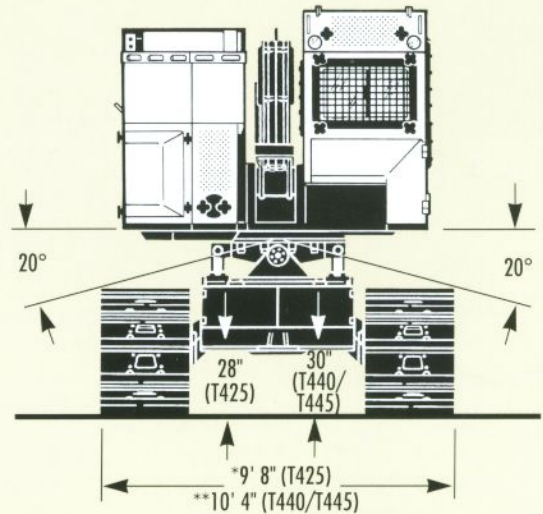
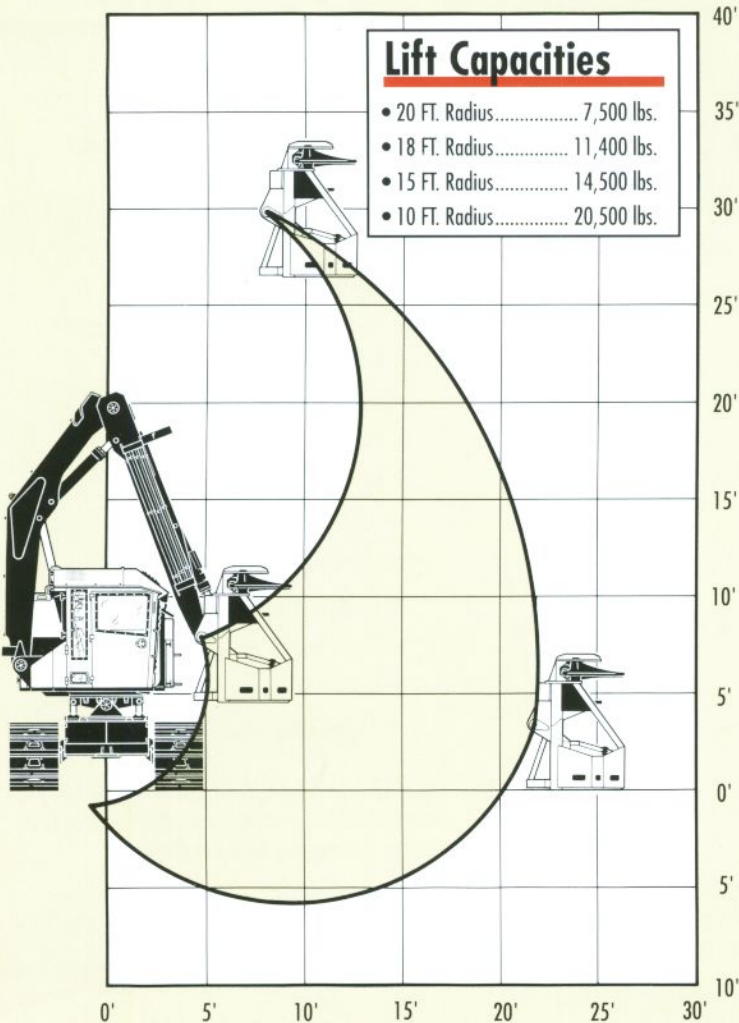
Ground Pressure Data

T425:

- With standard 24" track shoes 6.6 psi
- With optional 28" track shoes 5.6 psi

T440/T445:

- With standard 24" track shoes 6.9 psi
- With optional 34" track shoes 4.9 psi



* Shown with standard 24" shoes. With optional 28" shoes, width is 10' 0".
 ** Shown with standard 24" shoes. With optional 34" shoes, width is 11' 2".

Sold and Serviced By:

