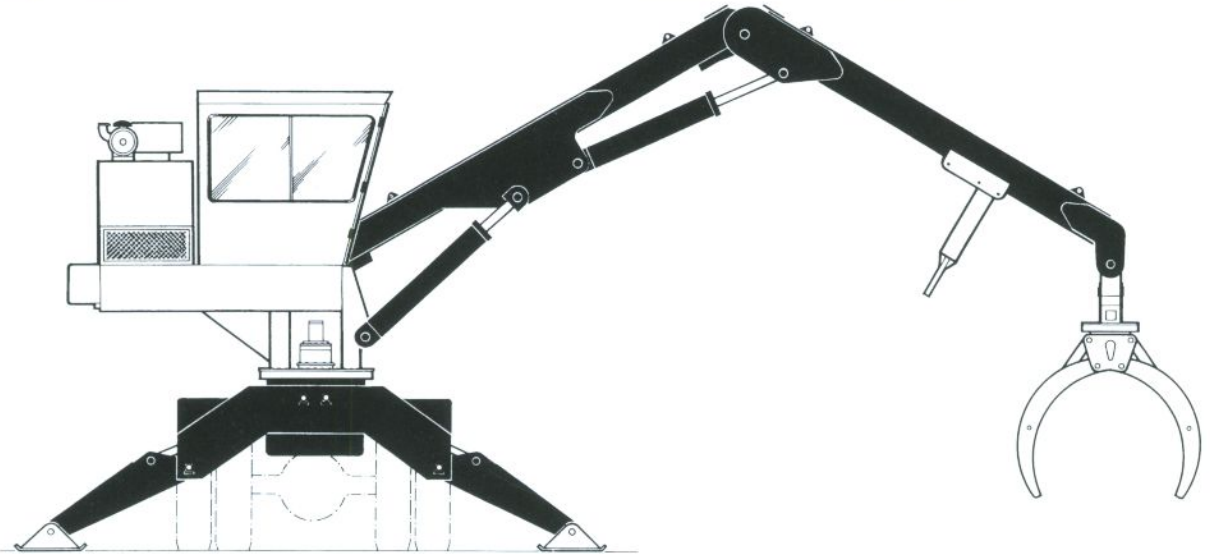


# Timberjack 430

## Knuckleboom Loader



### Technical Data

#### Engine

Models/Cyls. - Cummins 6BT 5.9,  
6 cyl. turbo diesel  
Max hp - 148 hp (110 kW) @ 2200 rpm  
Fuel Tank Capacity - 75 U.S. gal. (285 L)

#### Hydraulic System

Lift Capacity (rated) 27,900 lb. @ 10 ft.  
(12 565 kg @ 3 m)  
Pump Drive - Direct  
Main Pumps-Triple gear pump assembly  
55-45-30 gpm (208-170-114 L/min)  
Pilot Pump - 5 gpm @ 450 psi  
(19 L/min @ 3 103 kPa)  
Systems Pressure - 2500 psi (15 860 kPa)  
Control Valves - Stack type Commerical  
70 gpm (265 L/min) rating  
Cylinders - (2) Main - 6" (152 mm) bore,  
3" (76 mm) rod-solid  
(1) Jib - 7" (177 mm) bore  
3-1/2" (89 mm) rod-solid  
(4) Stabilizer - 6" (152 mm) bore,  
3" (76 mm) rod - solid (with lock valves)  
Filtration - 10 micron return line w/25 psi  
(172 kPa) bypass with visual indicator  
Cooler - Hayden, high capacity  
Reservoir - 100 U.S. gal. (378 L) upper/65  
U. S. gal. (245 L) lower  
(2) suction screens - 100 mesh (1) with 3  
psi (21 kPa) bypass

#### Electrical System

Alternator - 12 volt, 63 amp, self-energizing  
Batteries - (2) 12 volt

#### Knuckleboom

30 ft. (9.1 m), heavy wall construction,  
56,000 psi (386 000 kPa) yield w/bolt on  
adjustable heel bar, aluminum bronze  
bushings, self-aligning bearings/all  
cylinder mounting points,  
3-1/2" (89 mm) pin - knuckle/hinge pins,  
3" (76 mm) pin - all hydraulic cylinders

#### Controls

Pilot operated joysticks -5 gpm  
(19 L/min) @ 450 psi (3 103 kPa)

#### Operator's Cab

Fully enclosed. Insulated. 40" (1 016 mm)  
x 60" (1 524mm) with sliding door,  
sliding window, tinted safety glass. Front  
wind-shield washer/wiper. Heater. Fan.  
Horn. Deluxe cloth, fully adjustable  
suspension seat w/seat belt and armrests.  
Instrument panel.



### Swing System

Rotation - 360° continuous  
 Speed - 7 rpm  
 Drive - Two stage planetary gear box w/gear motor (greaseable from cab)  
 Bearing - 42" (1 067 mm) O.D. hardened gear

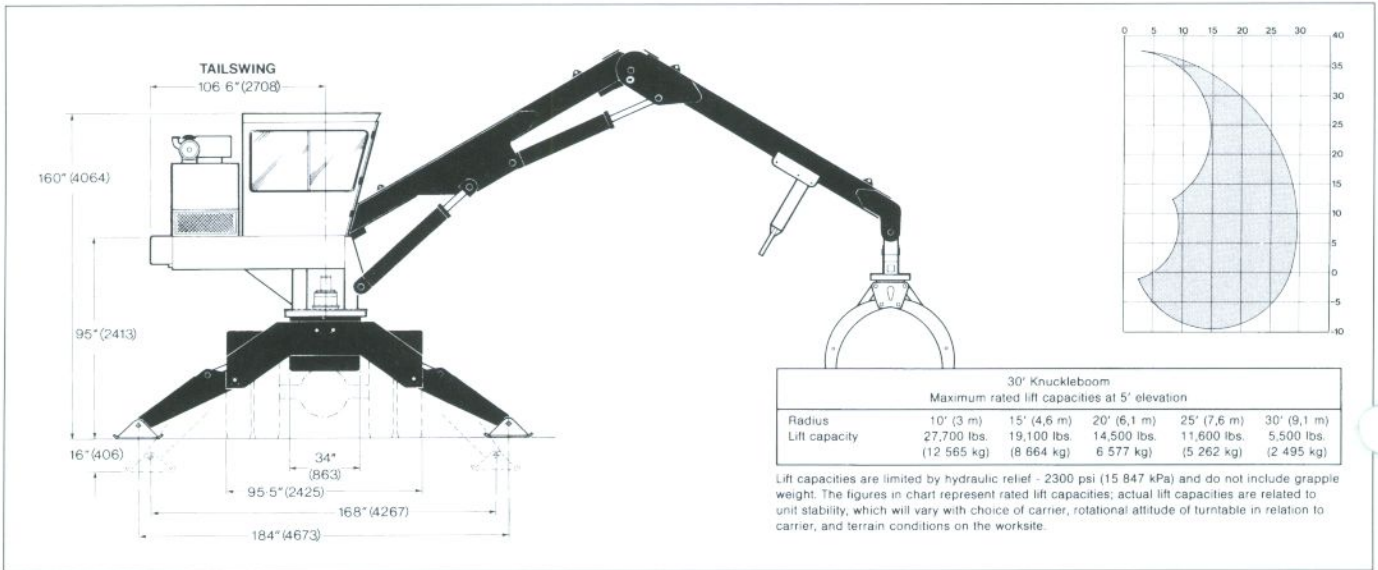
**Weight**-(standard equipment)  
 29,550 lb. (13,431 kg)

### Standard Equipment

Front windshield guard. Fire extinguisher. Operator and maintenance manuals. Grease gun. Bolt on adjustable heel bar. Truck/trailer mounting kit.

### Optional Equipment

Engine: Cummins 6BTA5.9 - 170 hp (120 kW) @ 2300 . Manual lever hydraulic controls. High volume remote hydraulics (for operating: barsaw slasher, delimber/topping saw, or both). 32 ft (10 m) Knuckleboom with bolt on adjustable heel bar. Air Conditioning. Truck/trailer mounting kit.



® Timberjack and the donkey symbol are registered trademarks of Timberjack Inc. Printed in Canada by BP-11M-5 99

The manufacturer reserves the right to make changes or add improvements at any time without incurring any obligation to make such changes on machines manufactured previously.

# Timberjack

Doing more

www.timberjack.com